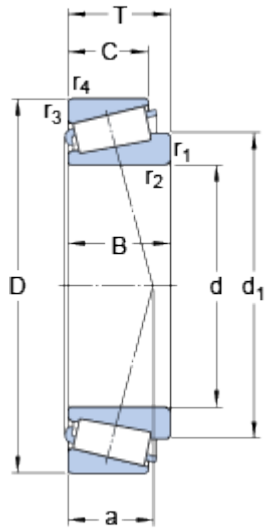


33012/Q

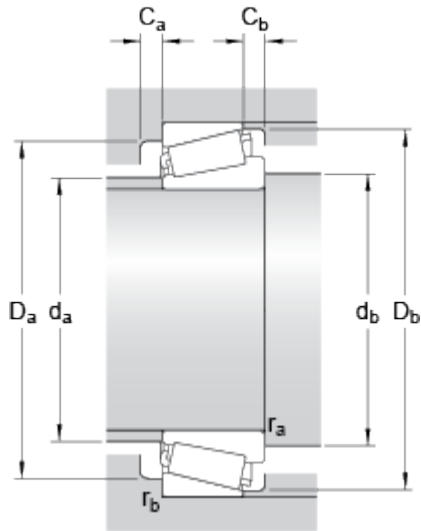
SKF Explorer

Dimensions



d		60	mm
D		95	mm
T		27	mm
d ₁	≈	77.2	mm
B		27	mm
C		21	mm
r _{1,2}	min.	1.5	mm
r _{3,4}	min.	1.5	mm
a		20	mm

Abutment dimensions



d _a	max.	67	mm
d _b	min.	67	mm
D _a	min.	85	mm
D _a	max.	88	mm
D _b	min.	90	mm
C _a	min.	5	mm
C _b	min.	6	mm
r _a	max.	1.5	mm
r _b	max.	1.5	mm

Calculation data

Basic dynamic load rating	C	106	kN
Basic static load rating	C ₀	143	kN
Fatigue load limit	P _u	16	kN
Reference speed		5300	r/min
Limiting speed		6700	r/min
Calculation factor	e	0.33	
Calculation factor	Y	1.8	

Calculation factor

Y_0

1

Mass

Mass bearing

0.704

kg